

1

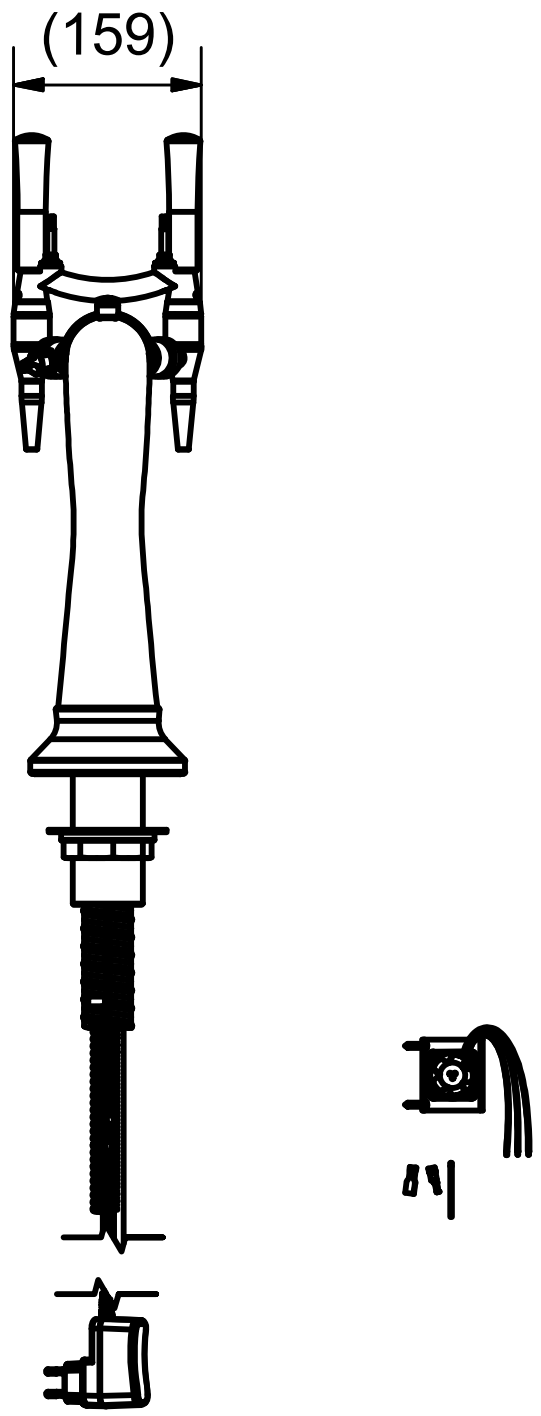
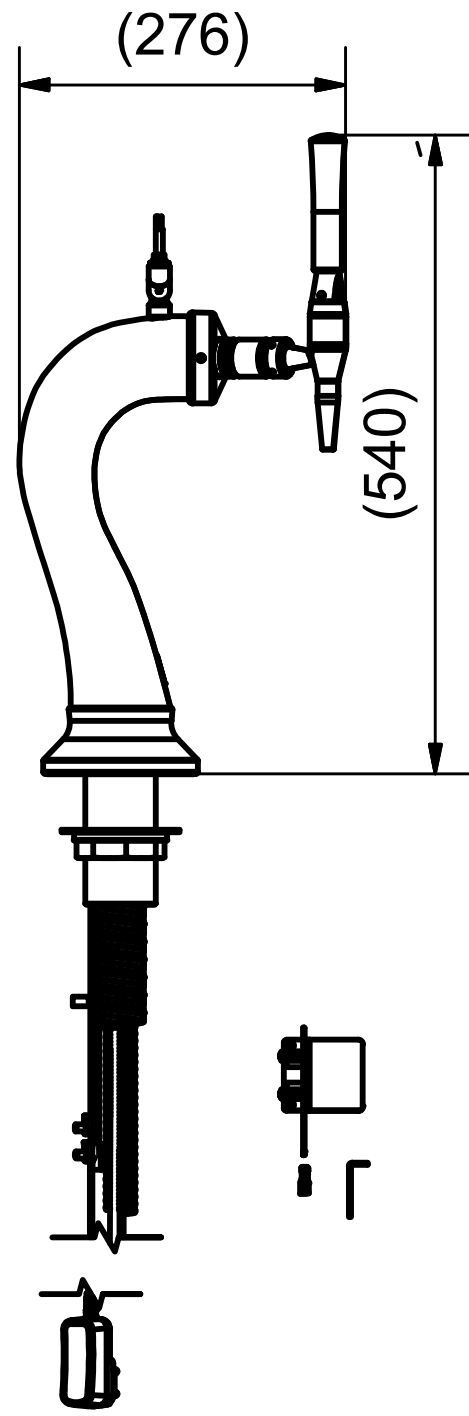
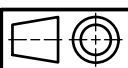
2


3

4

A
B
C
D
E
F

A
B
C
D
E
F



		DESCRIPTION	
		Lotus I2, Matt black	
		T-tap, Q/C - Aircooled	
		DRW.NO. - REV.	
 MICRO MATIC		11-298C1	
THIS DRAWING IS THE PROPERTY OF MICRO MATIC A/S AND MUST NOT BE USED, DISCLOSED OR REPRODUCED WITHOUT PRIOR WRITTEN AUTHORITY.			

1

2

3

4

F

F